

CPM®-ECOFILTERSYSTEM

Massblatt * Filter measurements

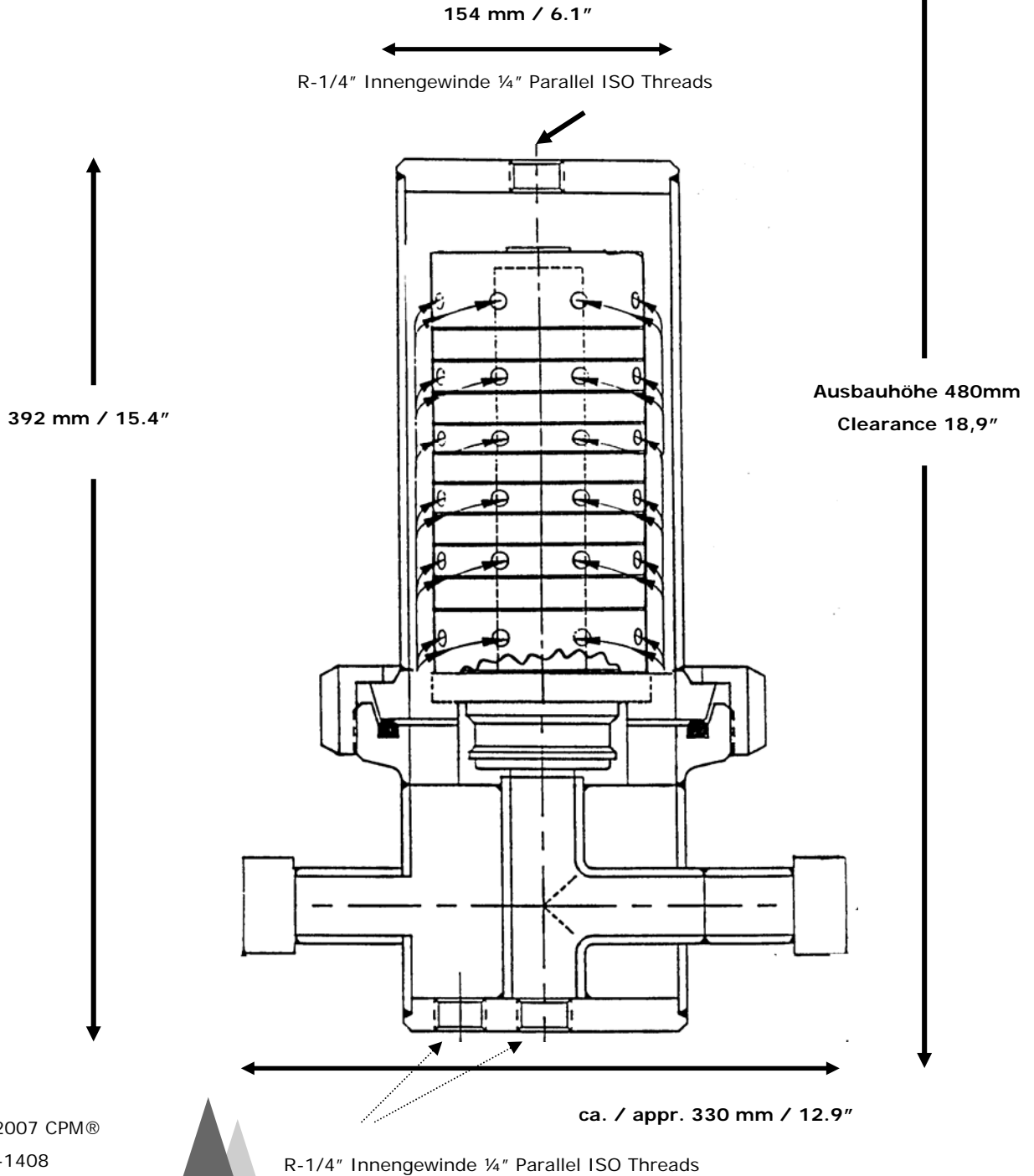
Filtertype : PSF * PDF * PFF * PVF - 1408

Gehäuseanschlüsse * Filter housing connections

Innengewinde BSB/NPT * Inner thread BSB/NPT : R- 2" R-2 ½" R-3"

DIN 11851 Milchrohrgewinde * Milk pipe : DN-50 * DN-65 * DN-80

DIN 11850 Tri Clamp : DN-50 * DN-65 * DN-80



CPM®-ECOFILTERSYSTEM

Massblatt * Filter measurements

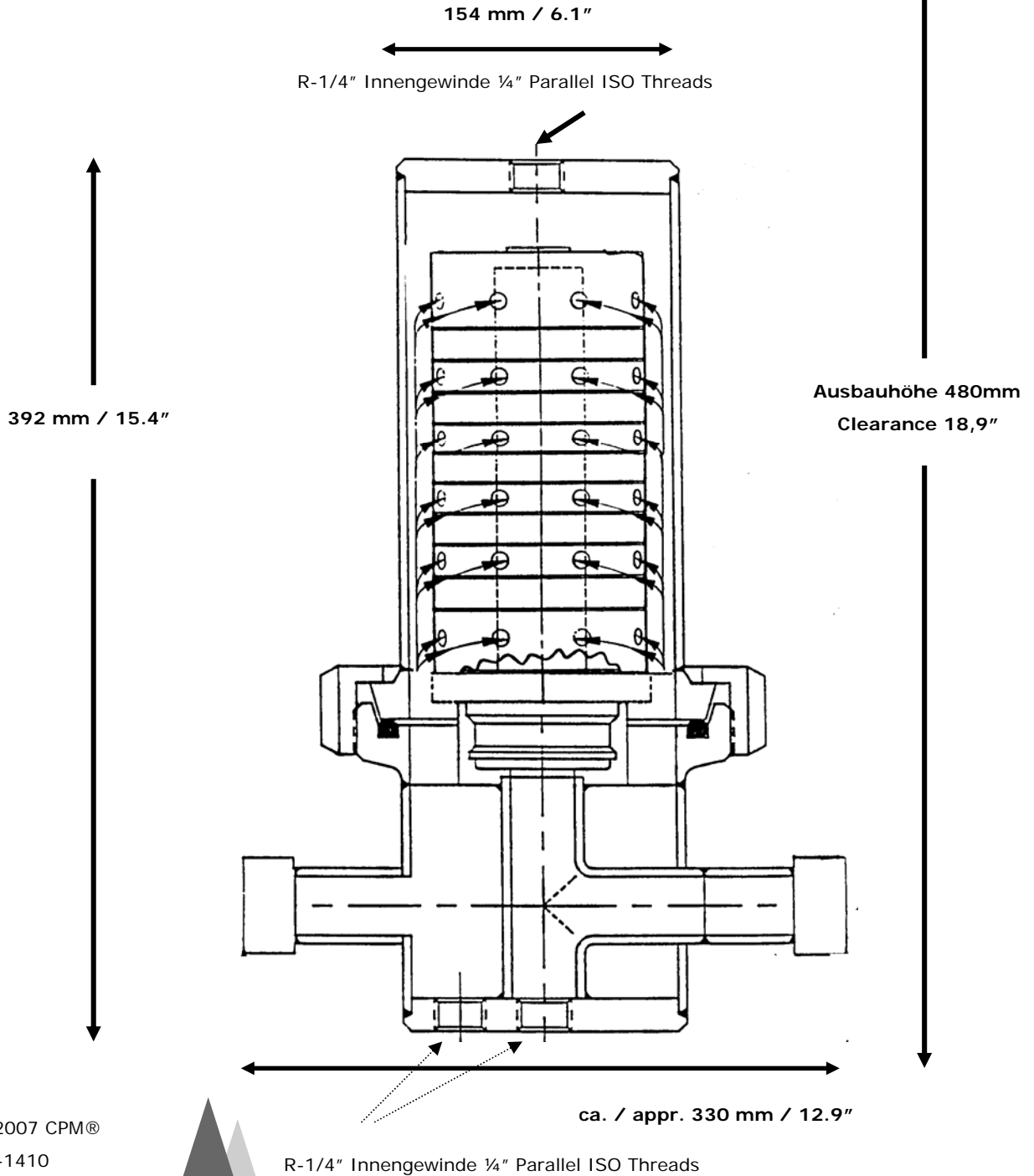
Filtertype : PSF * PDF * PFF * PVF - 1410

Gehäuseanschlüsse * Filter housing connections

Innengewinde BSB/NPT * Inner thread BSB/NPT : R- 2" R-2 ½" R-3"

DIN 11851 Milchrohrgewinde * Milk pipe : DN-50 * DN-65 * DN-80

DIN 11850 Tri Clamp : DN-50 * DN-65 * DN-80



CPM®-ECOFILTERSYSTEM

Massblatt * Filter measurements

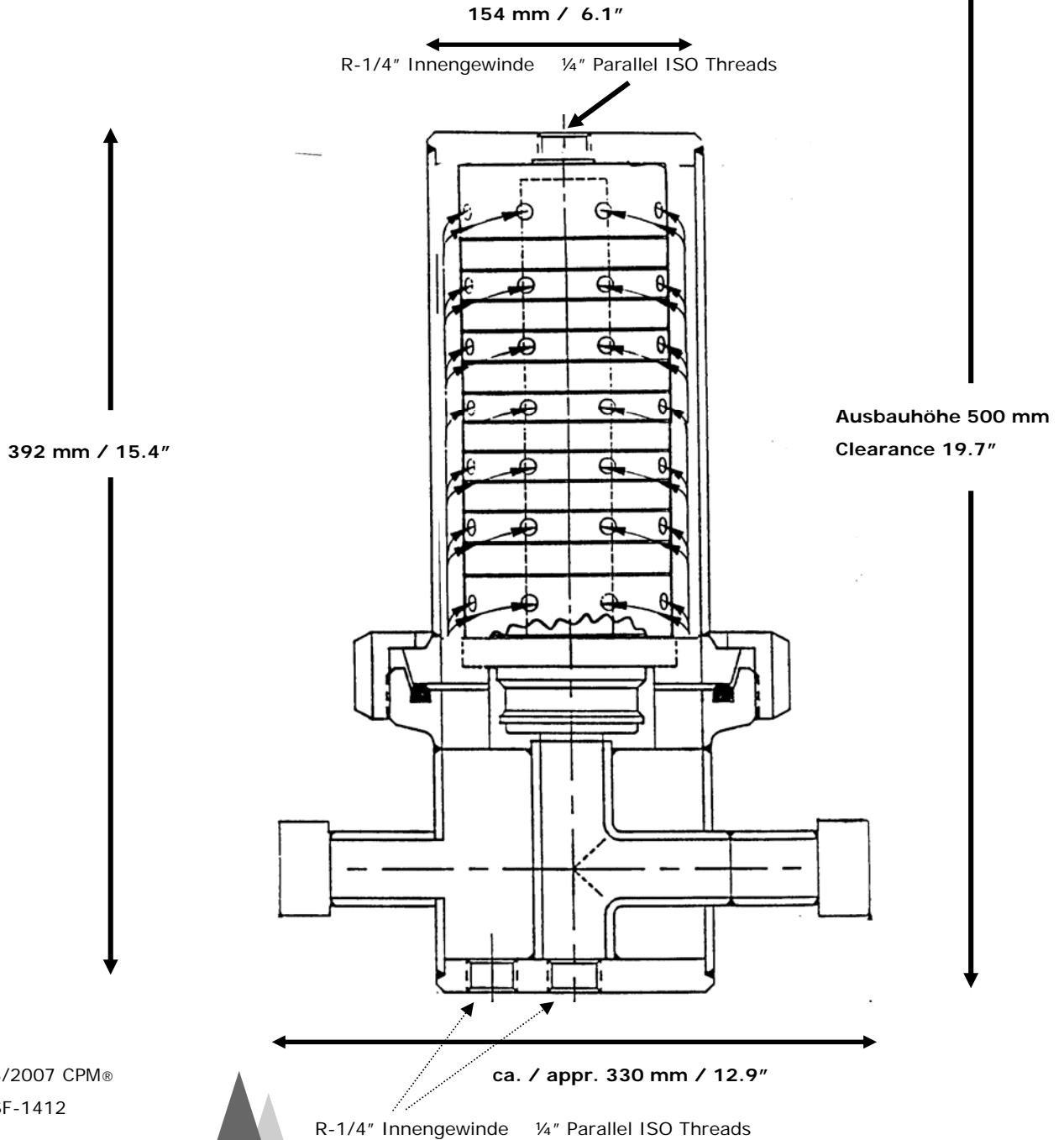
Filtertype : PSF * PDF * PFF * PVF - 1412

Gehäuseanschlüsse * Filter housing connections

Innengewinde BSB/NPT * Inner thread BSB/NPT : R- 2" R-2 ½" R-3"

DIN 11851 Milchrohrgewinde * Milk pipe : DN-50 * DN-65 * DN-80

DIN 11850 Tri Clamp : DN-50 * DN-65 * DN-80



CPM®-ECOFILTERSYSTEM

Massblatt * Filter measurements

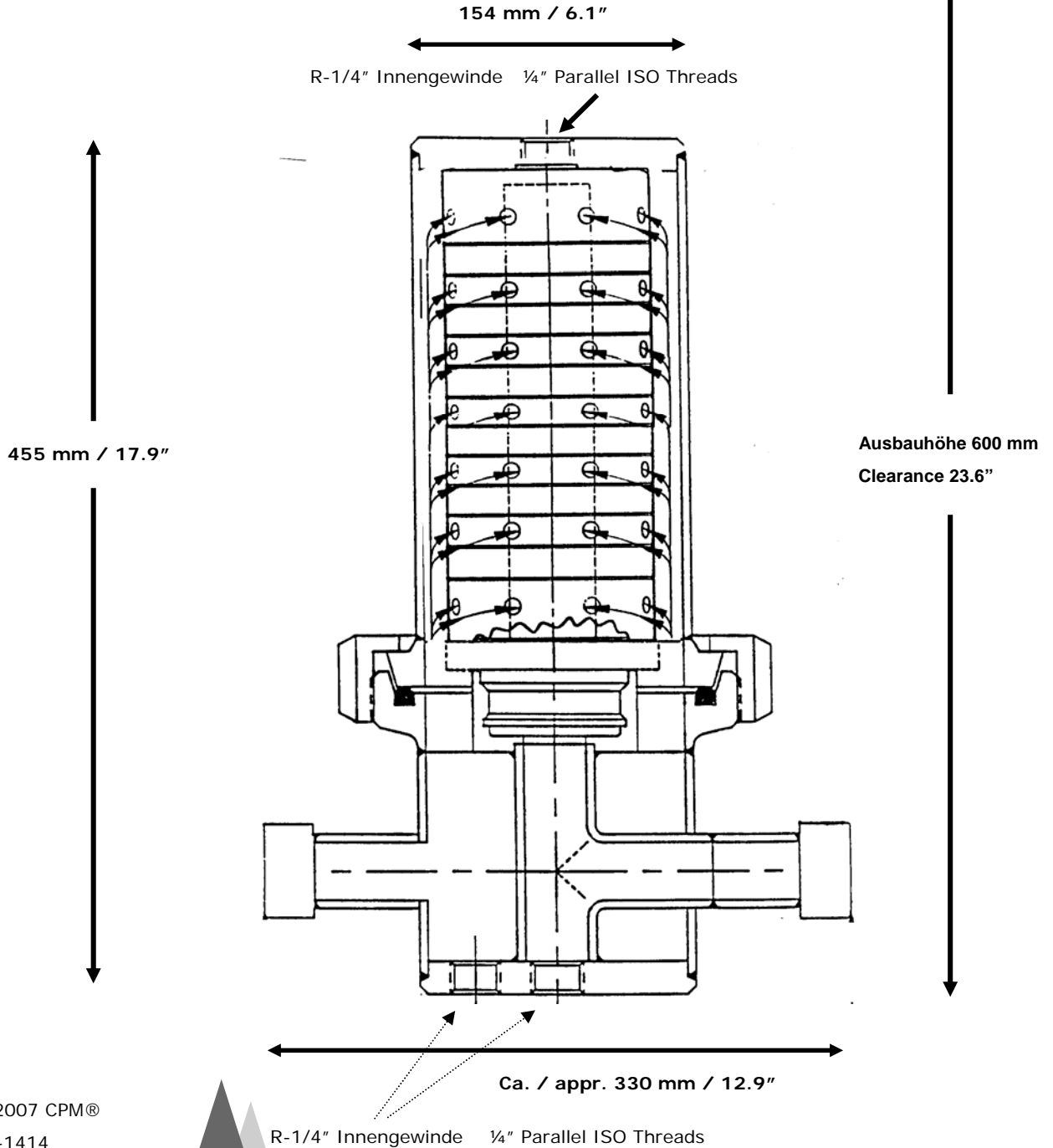
Filtertype : PSF * PDF * PFF * PVF - 1414

Gehäuseanschlüsse * Filter housing connections

Innengewinde BSB/NPT * Inner thread BSB/NPT : R- 2" R-2 ½" R-3"

DIN 11851 Milchrohrgewinde * Milk pipe : DN-50 * DN-65 * DN-80

DIN 11850 Tri Clamp : DN-50 * DN-65 * DN-80



03/2007 CPM®

PSF-1414

CPM®-ECOFILTERSYSTEM

Massblatt * Filter measurements

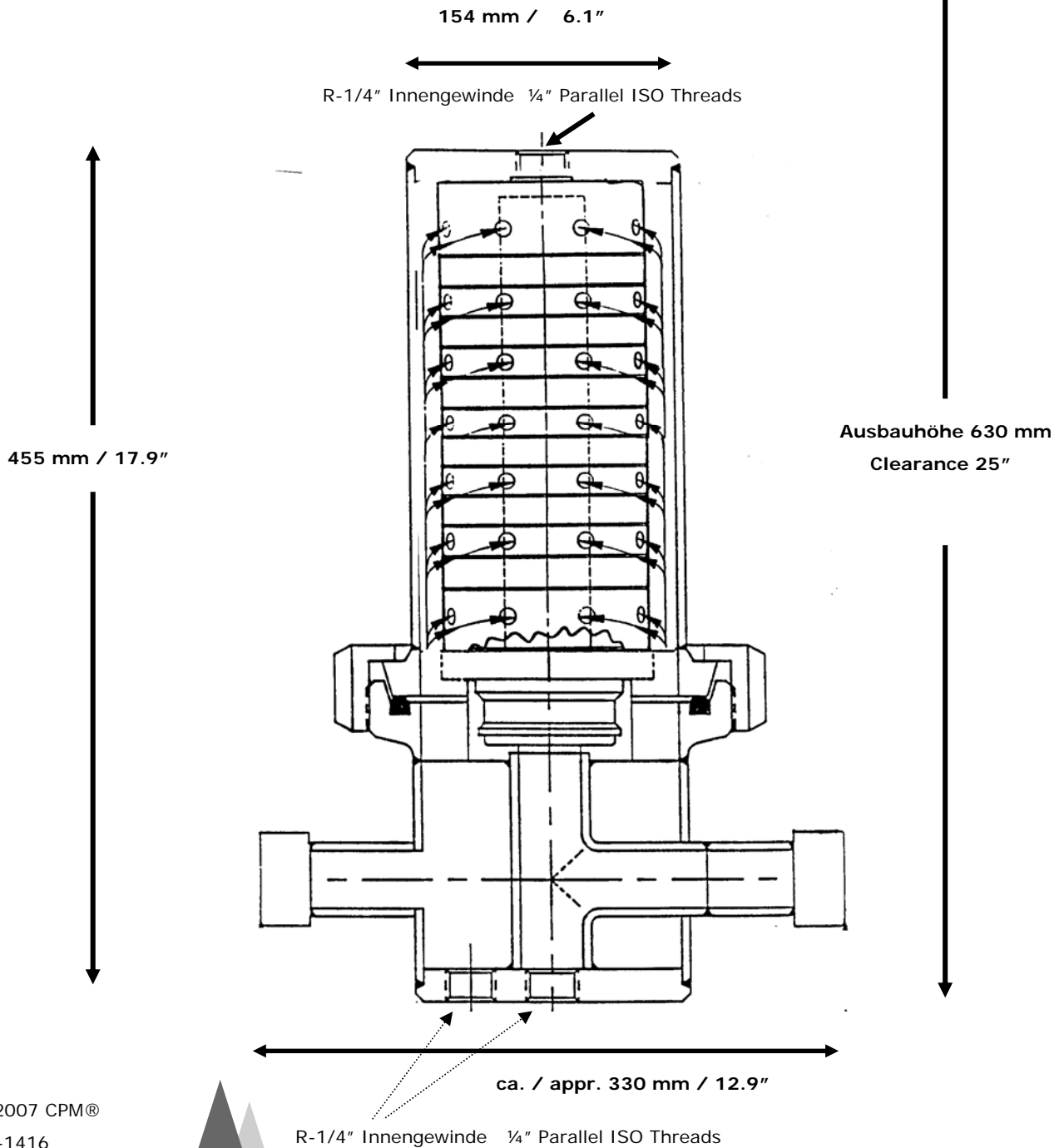
Filtertype : PSF * PDF * PFF * PVF - 1416

Gehäuseanschlüsse * Filter housing connections

Innengewinde BSB/NPT * Inner thread BSB/NPT : R- 2" R-2 ½" R-3"

DIN 11851 Milchrohrgewinde * Milk pipe : DN-50 * DN-65 * DN-80

DIN 11850 Tri Clamp : DN-50 * DN-65 * DN-80



03/2007 CPM®

PSF-1416

CPM®-ECOFILTERSYSTEM

Massblatt * Filter measurements

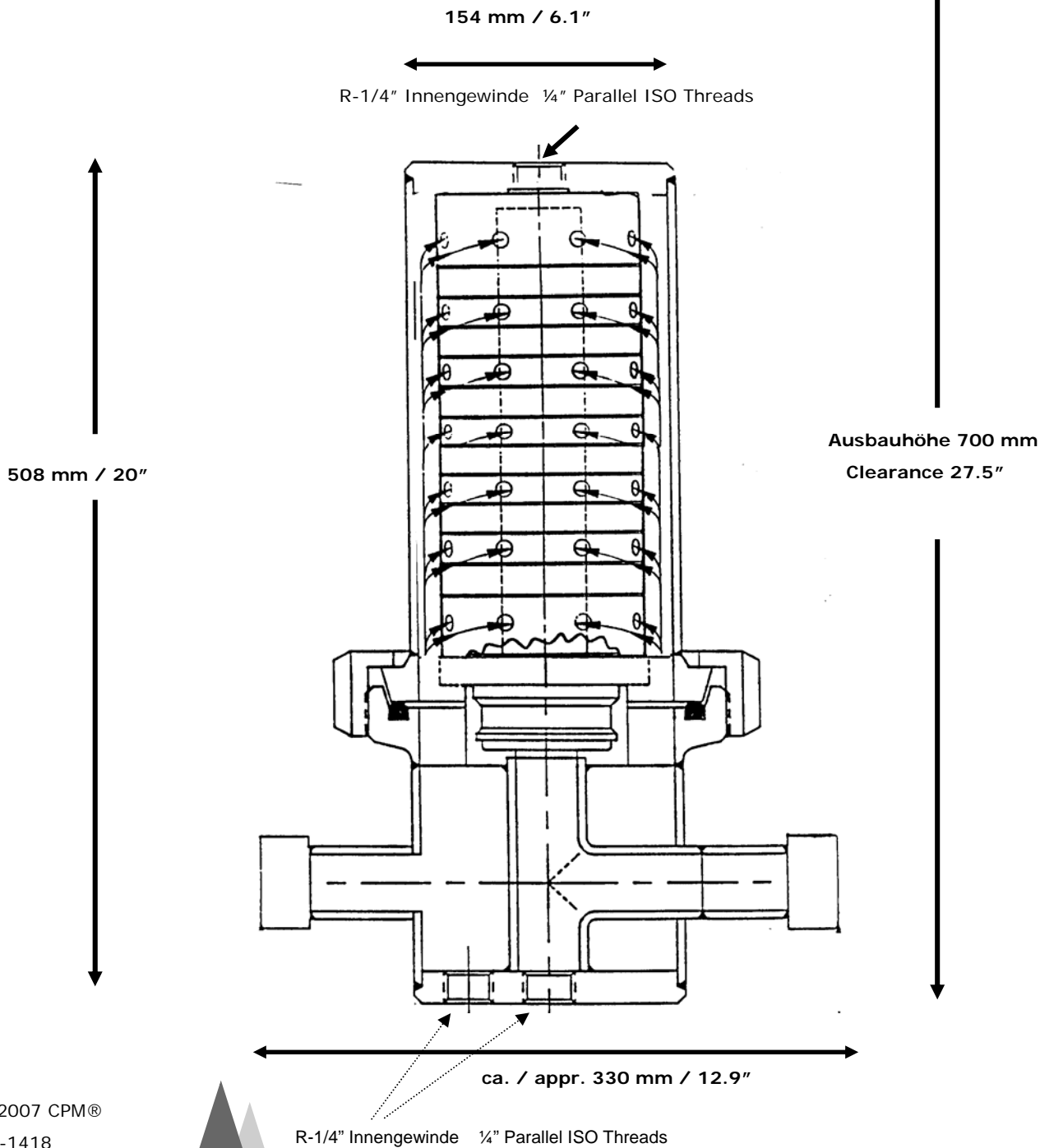
Filtertype : PSF * PDF * PFF * PVF - 1418

Gehäuseanschlüsse * Filter housing connections

Innengewinde BSB/NPT * Inner thread BSB/NPT : R- 2" R-2 ½" R-3"

DIN 11851 Milchrohrgewinde * Milk pipe : DN-50 * DN-65 * DN-80

DIN 11850 Tri Clamp : DN-50 * DN-65 * DN-80



CPM®-ECOFILTERSYSTEM

Massblatt * Filter measurements

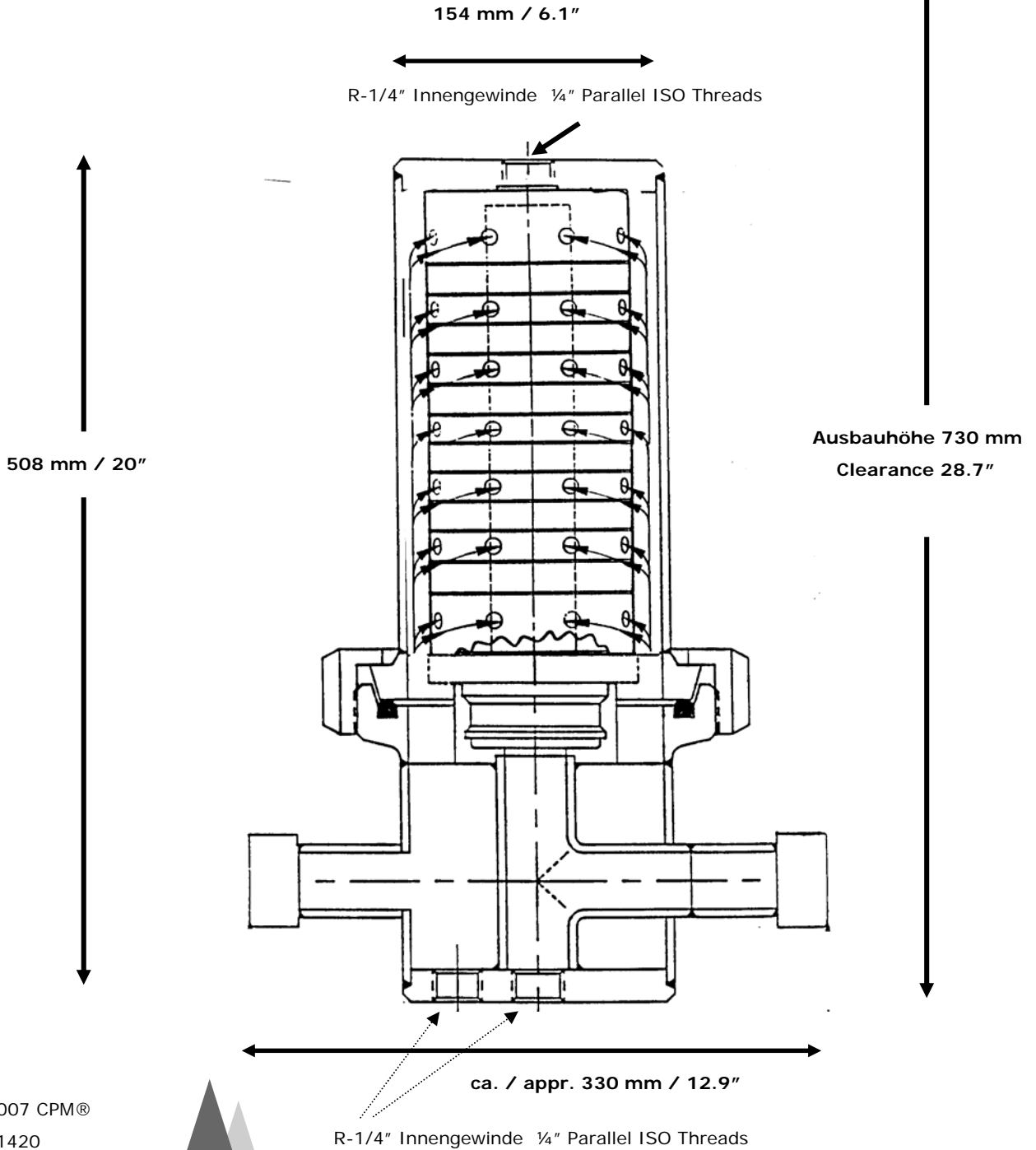
Filtertype : PSF * PDF * PFF * PVF - 1420

Gehäuseanschlüsse * Filter housing connections

Innengewinde BSB/NPT * Inner thread BSB/NPT : R- 2" R-2 ½" R-3"

DIN 11851 Milchrohrgewinde * Milk pipe : DN-50 * DN-65 * DN-80

DIN 11850 Tri Clamp : DN-50 * DN-65 * DN-80



03/2007 CPM®

PSF-1420

CPM®-ECOFILTERSYSTEM

Massblatt * Filter measurements

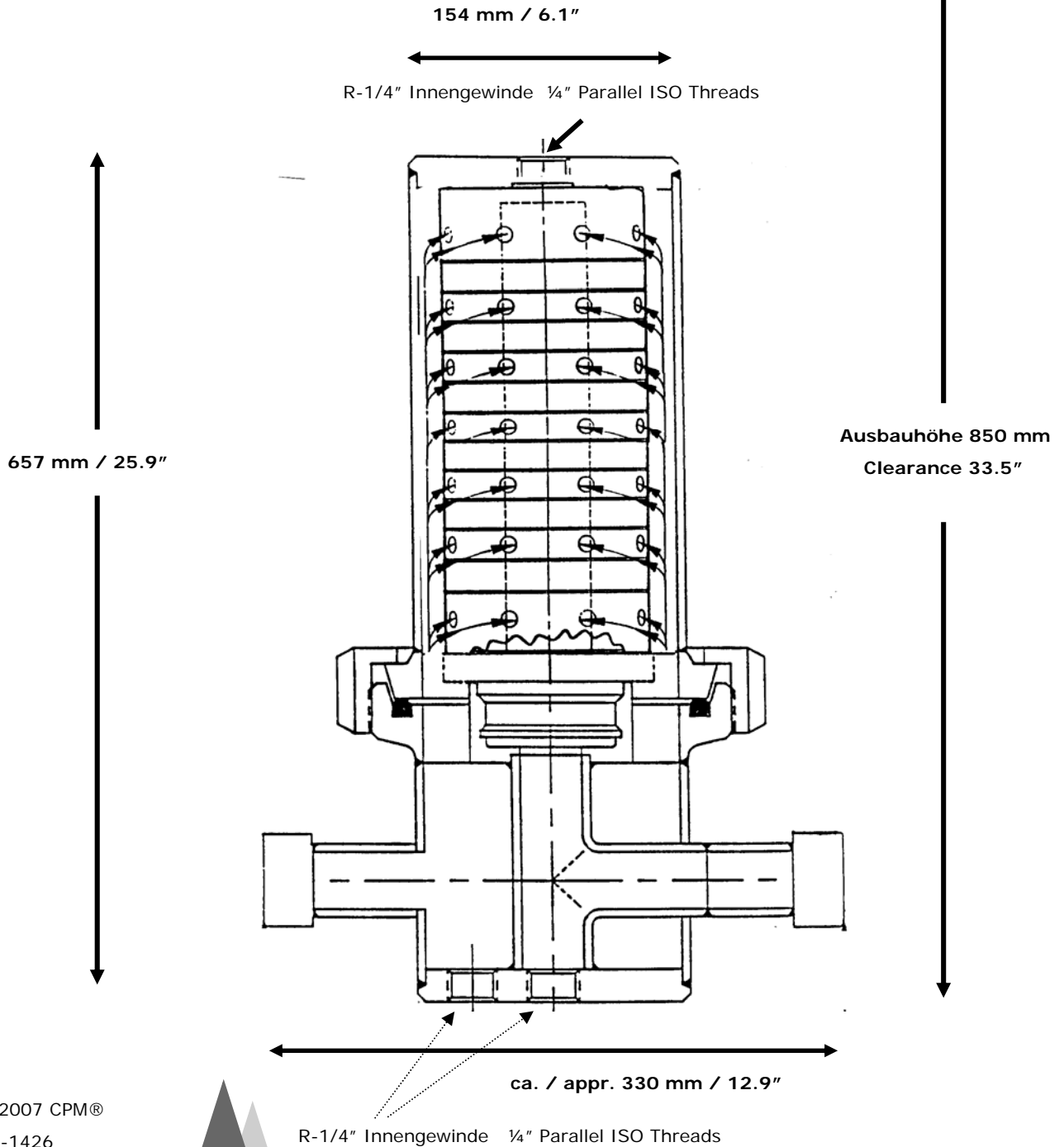
Filtertype : PSF * PDF * PFF * PVF - 1426

Gehäuseanschlüsse * Filter housing connections

Innengewinde BSB/NPT * Inner thread BSB/NPT : R- 2" R-2 ½" R-3"

DIN 11851 Milchrohrgewinde * Milk pipe : DN-50 * DN-65 * DN-80

DIN 11850 Tri Clamp : DN-50 * DN-65 * DN-80



CPM®-ECOFILTERSYSTEM

Massblatt * Filter measurements

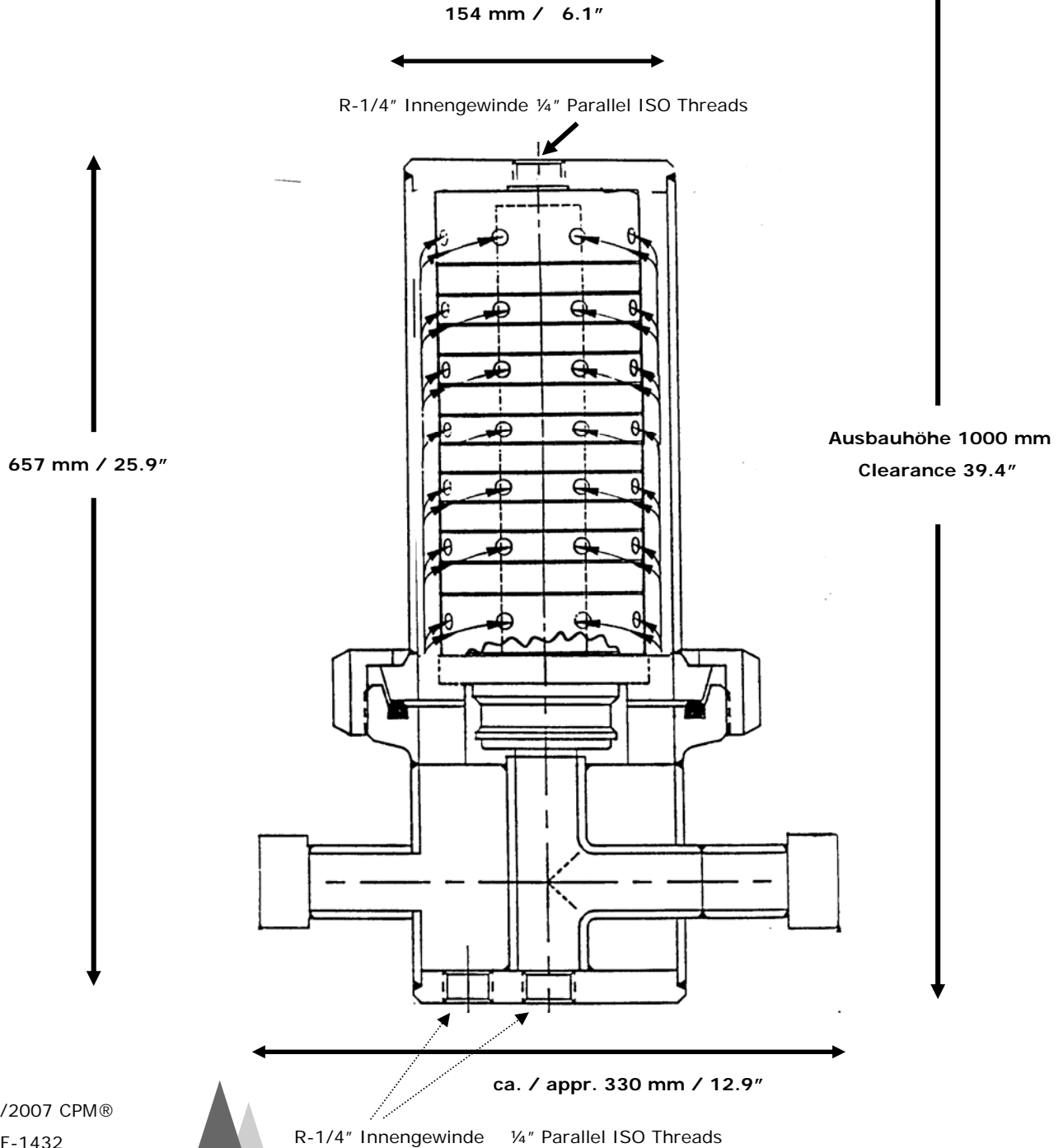
Filtertype : PSF * PDF * PFF * PVF - 1432

Gehäuseanschlüsse * Filter housing connections

Innengewinde BSB/NPT * Inner thread BSB/NPT : R- 2" R-2 ½" R-3"

DIN 11851 Milchrohrgewinde * Milk pipe : DN-50 * DN-65 * DN-80

DIN 11850 Tri Clamp : DN-50 * DN-65 * DN-80



03/2007 CPM®

PSF-1432